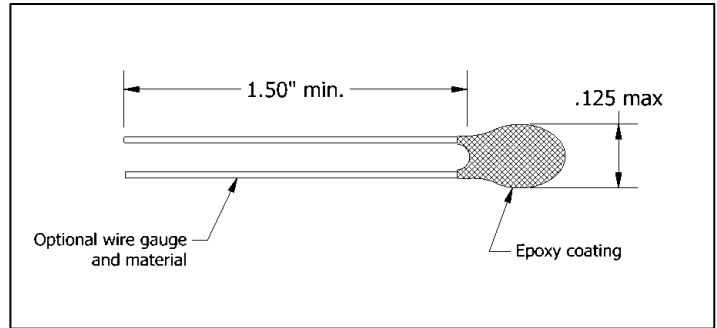


EC1003Z EPOXY COATED CHIP THERMISTOR

- * 1000 ohms at 25°C
- * STI Curve Z Material
- * Beta (25/85) = 3976 K
- * Temperature Range -40°C to +150°C
- * Thermally conductive epoxy coating



EC1003Z-C281	
Wire Gauge	AWG #28
Wire Type	Tin-plated Copper
Resistance Tolerance	±1% at 25°C

EC1003Z-C282	
Wire Gauge	AWG #28
Wire Type	Tin-plated Copper
Resistance Tolerance	±2% at 25°C

Note: Also available in ±0.2°C interchangeability

FEATURES
* Proven high reliability
* Fast thermal response time
* Rugged construction
* Alloy lead wires for reduced stem effect
* Suitable for precision instrumentation
* Used extensively in temperature sensing probes / assemblies

MATERIAL		Z	
(°C)	(°F)	Resistance (Ω)	TCR (%/°C)
-40	-40	33650	-6.65
-30	-22	17698	-6.21
-20	-4	9708	-5.81
-10	14	5532	-5.44
0	32	3265	-5.11
10	50	1990	-4.80
20	68	1249	-4.52
25	77	1000	-4.39
30	86	805.7	-4.26
40	104	532.6	-4.02
50	122	360.3	-3.81
60	140	248.7	-3.61
70	158	175.1	-3.42
80	176	125.5	-3.24
90	194	91.6	-3.08
100	212	67.8	-2.92
110	230	51.1	-2.77
120	248	39.0	-2.64
130	266	30.1	-2.52
140	284	23.5	-2.41
150	302	18.6	-2.30

Contact STI Engineering for R v T tables in other increments

Sensing Technologies, Inc.
 5582 Enterprise Parkway
 Fort Myers, FL 33905
 TEL 239-600- 6633
 FAX 239-694-0031

Sensing Technologies, Inc.
 1028 Graphite Road
 St. Marys, PA 15857
 TEL: 814-834-9480
 FAX: 814-834-1556

For engineering assistance, contact
jsidoni@sensing-tech.com